

UTILITY POLE / TOWER



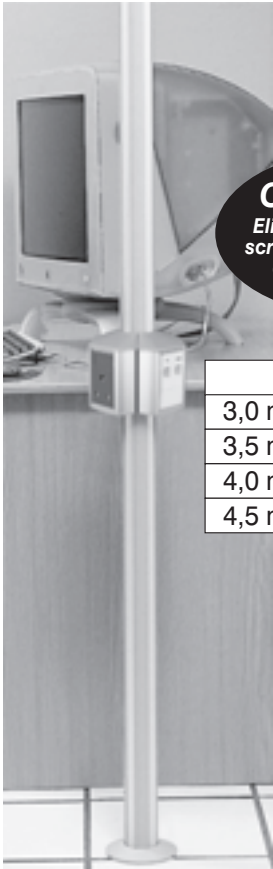
Proudly Bidvest

CABSTRUT®

UNIMOD

STATION MASTER / UNIMOD

- 3000, 3500, 4000 and 4500mm standard lengths
- 57mm diameter, 4 compartment



CLIP-ON KIT!

Eliminates the need for screws and cover plates. Quicker and easier to install!

Pole Kit	
3,0 metre	1840.00
3,5 metre	2070.00
4,0 metre	2360.00
4,5 metre	2835.00

Made to order:

5,0m	3325.00
6,0m	3785.00




- Pole kit comprises: Pole, PVC covers, base plate, ceiling flange and jack assembly



...smaller, better & less expensive.

- One kit fits all
- Accepts all modular accessories
- Modules can be stacked
- Kit contains body, universal cradle and two plastic end covers & divider
- Old style non-modular kits also available

Standard Accessories

Jack Assembly (Supplied with kit)		61.00
Ceiling Flange (Supplied with kit)		121.00
Base Plate (Supplied with kit)		92.50

UNIMOD OUTLET KIT

Kit comprises 85mm retainer, Unimod cradle, 2 x end caps and 1 divider. (Outlets not included)

247.00

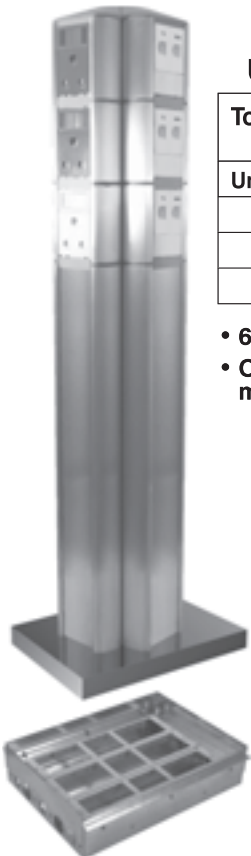
UNIMOD BLANK OUTLET
313.00



UNIMOD TOWER

Tower With Baseplate and Blank	
Unimod Kits	Price
4	4290.00
8	5170.00
12	6160.00

- 600mm high
- Other specifications manufactured to order



- Installs on a standard floor duct outlet, conduit floor box or stand-alone steel base unit

(See Pages 9/10/11 For Socket & Switch Accessories)

OUTLET KITS **308.00 Each**

Crabtree Outlet Options

6896H 15A SSO 4556H13A SSO 20A DPI 20A DPI + CG



Clipsal Outlet Options

LS 2002 16A SSO LS 1005 Universal Twin Cradle



Modular Outlet Options

Blank Kit 75 x 50mm 50 x 50mm



VETI Outlet Options SSO & 3 x Mod.

