

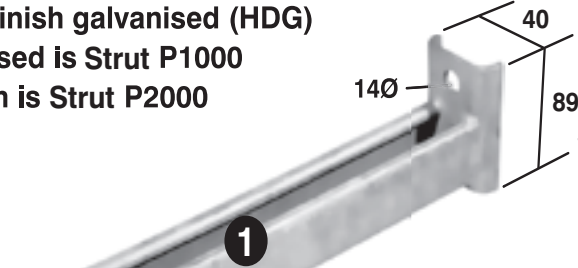
# CANTILEVER ARMS



Proudly Bidvest

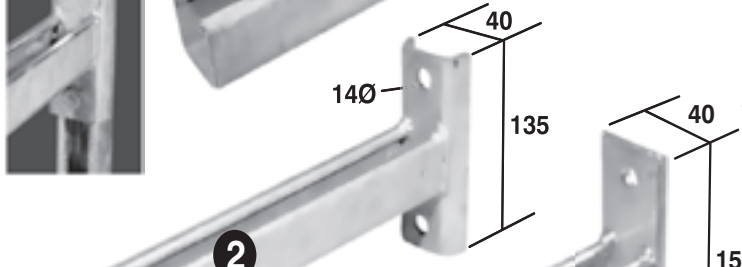
**CABSTRUT®**

- Standard finish galvanised (HDG)
- Channel used is Strut P1000
- Econo-Arm is Strut P2000



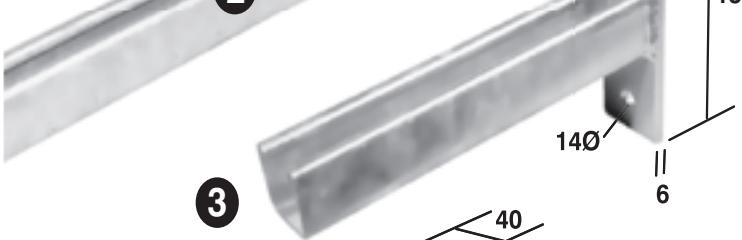
**1**  
89mm  
WRAP AROUND  
(223 SERIES)

Part Number	Length	Unit Mass (kg)	Design Load (kg)	Price
WAA150	150	0,6	315	<b>190.00</b>
WAA200	200	0,8	310	<b>207.00</b>
WAA250	250	1,0	280	<b>231.00</b>
WAA350	350	1,3	260	<b>276.00</b>



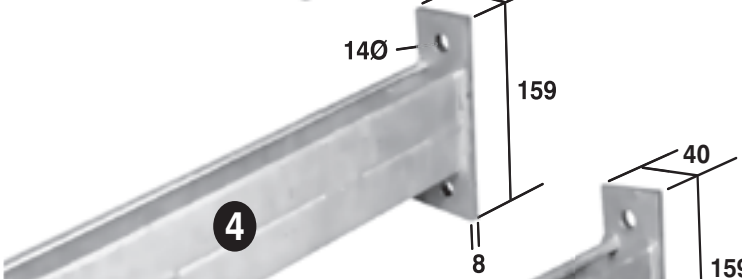
**2**  
135mm  
WRAP AROUND  
(223 SERIES)

Part Number	Length	Unit Mass (kg)	Design Load (kg)	Price
WAA450	450	2,0	245	<b>316.00</b>
WAA550	550	2,3	200	<b>360.00</b>
WAA650	650	2,6	160	<b>409.00</b>



**3**  
FLAT  
PLATE ARM  
(254 SERIES)

Part Number	Length	Unit Mass (kg)	Design Load (kg)	Price
FPA150	150	0,8	290	<b>163.00</b>
FPA200	200	1,0	280	<b>186.00</b>
FPA250	250	1,2	260	<b>231.00</b>
FPA350	350	1,5	240	<b>262.00</b>
FPA450	450	1,7	180	<b>302.00</b>
FPA550	550	2,0	155	<b>338.00</b>
FPA650	650	2,3	130	<b>390.00</b>



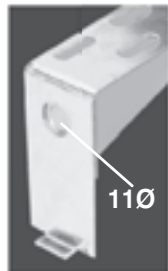
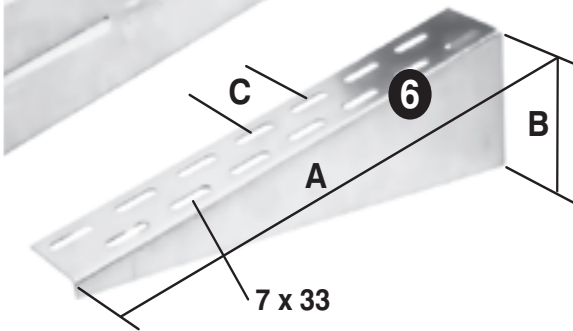
**4**  
HALF DOUBLE  
(254 SERIES)

Part Number	Length	Unit Mass (kg)	Design Load (kg)	Price
HDA0550	550	3,0	240	<b>540.00</b>
HDA0650	650	3,4	200	<b>569.00</b>
HDA0850	850	4,2	160	<b>677.00</b>
HDA1050	1050	5,1	130	<b>800.00</b>



**5**  
FULL DOUBLE  
(254 SERIES)

Part Number	Length	Unit Mass (kg)	Design Load (kg)	Price
FDA0550	550	3,6	460	<b>727.00</b>
FDA0650	650	4,1	310	<b>749.00</b>
FDA0850	850	5,2	180	<b>882.00</b>
FDA1050	1050	6,3	150	<b>1130.00</b>



**6** TRAY ARMS (249 SERIES)

Part Number	A mm	B mm	C 76 mm	Unit Mass (kg)	Design Load (kg)	Old Part Number	Price
TA150	152	49	x 1	0,25	160	P2491	<b>97.20</b>
TA229	229	70	x 2	0,35	148	P2492	<b>119.60</b>
TA305	305	87	x 3	0,50	136	P2494	<b>150.10</b>
TA381	381	108	x 4	0,70	124	P2495	<b>178.80</b>
TA457	457	126	x 5	1,00	112	P2497	<b>214.50</b>
TA610	610	164	x 7	1,65	100	P2500	<b>338.10</b>

- NOTE: Cantilever Arms should be 50mm longer than the width of the cable tray or cable ladder to be supported.

