

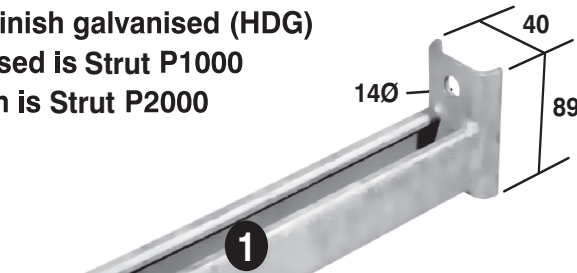
CANTILEVER ARMS



Proudly Bidvest

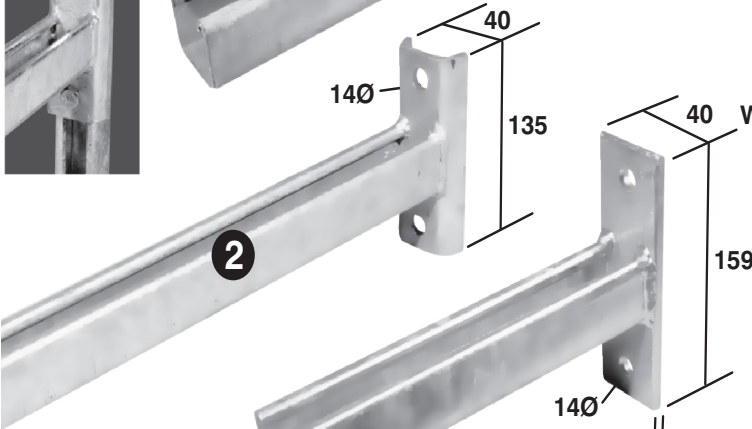
CABSTRUT

- Standard finish galvanised (HDG)
- Channel used is Strut P1000
- Econo-Arm is Strut P2000



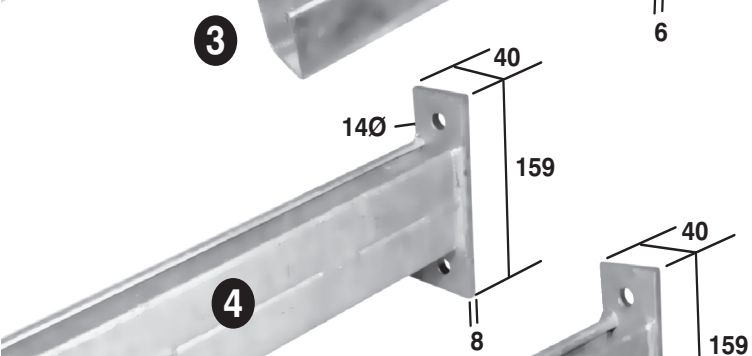
1
89mm
WRAP AROUND
(223 SERIES)

Part Number	Length	Unit Mass (kg)	Design Load (kg)	Price
WAA150	150	0,6	315	148.00
WAA200	200	0,8	310	161.00
WAA250	250	1,0	280	180.00
WAA350	350	1,3	260	215.00



2
135mm
WRAP AROUND
(223 SERIES)

Part Number	Length	Unit Mass (kg)	Design Load (kg)	Price
WAA450	450	2,0	245	246.00
WAA550	550	2,3	200	280.00
WAA650	650	2,6	160	318.00



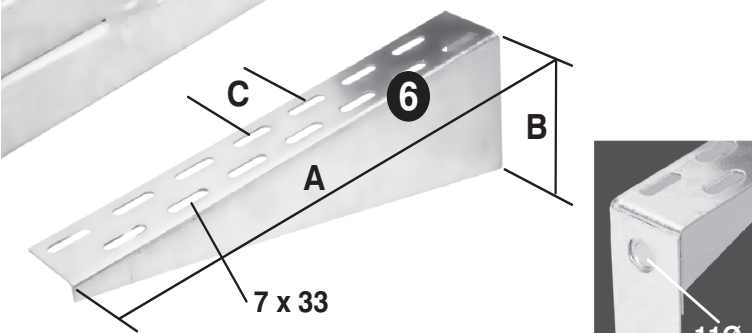
3
FLAT
PLATE ARM
(254 SERIES)

Part Number	Length	Unit Mass (kg)	Design Load (kg)	Price
FPA150	150	0,8	290	127.00
FPA200	200	1,0	280	145.00
FPA250	250	1,2	260	180.00
FPA350	350	1,5	240	204.00
FPA450	450	1,7	180	235.00
FPA550	550	2,0	155	263.00
FPA650	650	2,3	130	303.00



4
HALF DOUBLE
(254 SERIES)

Part Number	Length	Unit Mass (kg)	Design Load (kg)	Price
HDA0550	550	3,0	240	420.00
HDA0650	650	3,4	200	442.00
HDA0850	850	4,2	160	526.00
HDA1050	1050	5,1	130	622.00



5
FULL DOUBLE
(254 SERIES)

Part Number	Length	Unit Mass (kg)	Design Load (kg)	Price
FDA0550	550	3,6	460	565.00
FDA0650	650	4,1	310	582.00
FDA0850	850	5,2	180	685.00
FDA1050	1050	6,3	150	878.00



6 TRAY ARMS (249 SERIES)

Part Number	A mm	B mm	C 76 mm	Unit Mass (kg)	Design Load (kg)	Old Part Number	Price
TA150	152	49	x 1	0,25	160	P2491	75.50
TA229	229	70	x 2	0,35	148	P2492	93.00
TA305	305	87	x 3	0,50	136	P2494	116.50
TA381	381	108	x 4	0,70	124	P2495	139.00
TA457	457	126	x 5	1,00	112	P2497	166.50
TA610	610	164	x 7	1,65	100	P2500	262.50

• NOTE: Cantilever Arms should be 50mm longer than the width of the cable tray or cable ladder to be supported.

