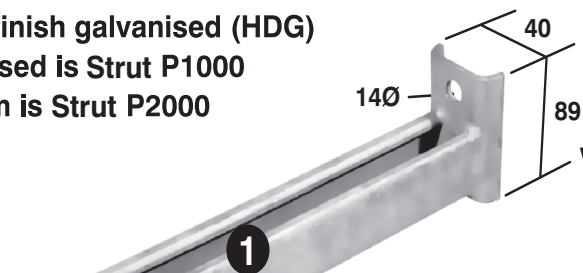


CANTILEVER ARMS



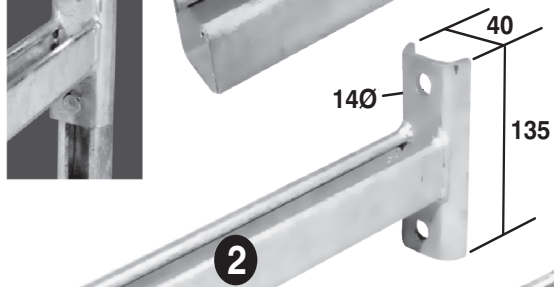
Proudly Bidvest

- Standard finish galvanised (HDG)
- Channel used is Strut P1000
- Econo-Arm is Strut P2000



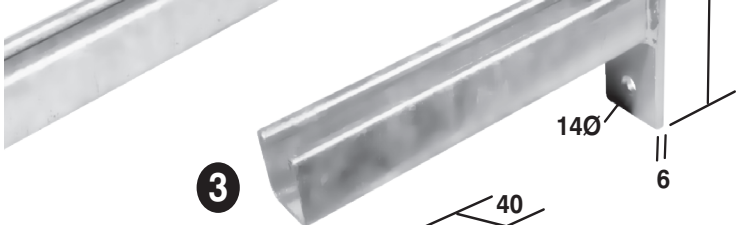
1
89mm
WRAP AROUND
(223 SERIES)

Part Number	Length	Unit Mass (kg)	Design Load (kg)	Price
WAA150	150	0,6	315	132.00
WAA200	200	0,8	310	143.50
WAA250	250	1,0	280	160.00
WAA350	350	1,3	260	189.00



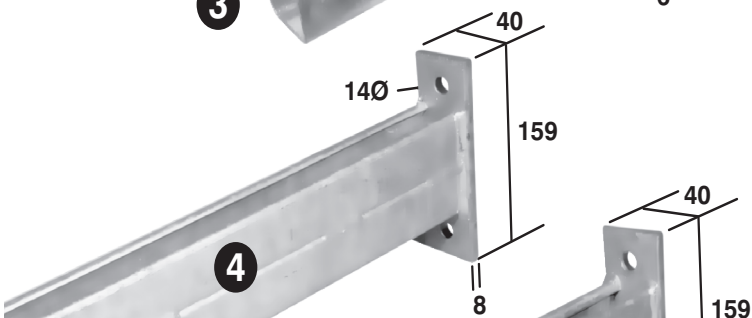
2
135mm
WRAP AROUND
(223 SERIES)

Part Number	Length	Unit Mass (kg)	Design Load (kg)	Price
WAA450	450	2,0	245	218.50
WAA550	550	2,3	200	247.50
WAA650	650	2,6	160	280.50



3
FLAT
PLATE ARM
(254 SERIES)

Part Number	Length	Unit Mass (kg)	Design Load (kg)	Price
FPA150	150	0,8	290	113.50
FPA200	200	1,0	280	129.00
FPA250	250	1,2	260	175.00
FPA350	350	1,5	240	182.00
FPA450	450	1,7	180	209.50
FPA550	550	2,0	155	234.50
FPA650	650	2,3	130	270.00



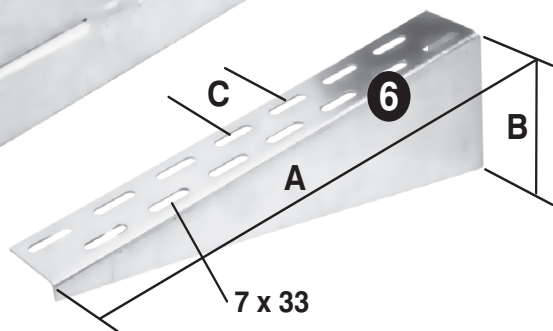
4
HALF DOUBLE
(254 SERIES)

Part Number	Length	Unit Mass (kg)	Design Load (kg)	Price
HDA0550	550	3,0	240	375.00
HDA0650	650	3,4	200	395.00
HDA0850	850	4,2	160	470.00
HDA1050	1050	5,1	130	552.00



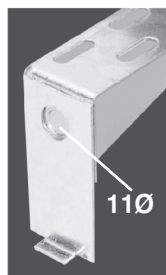
5
FULL DOUBLE
(254 SERIES)

Part Number	Length	Unit Mass (kg)	Design Load (kg)	Price
FDA0550	550	3,6	460	503.00
FDA0650	650	4,1	310	517.50
FDA0850	850	5,2	180	610.00
FDA1050	1050	6,3	150	783.50



6 TRAY ARMS (249 SERIES)

Part Number	A mm	B mm	C 76 mm	Unit Mass (kg)	Design Load (kg)	Old Part Number	Price
TA150	152	49	x 1	0,25	160	P2491	67.20
TA229	229	70	x 2	0,35	148	P2492	82.90
TA305	305	87	x 3	0,50	136	P2494	104.00
TA381	381	108	x 4	0,70	124	P2495	123.80
TA457	457	126	x 5	1,00	112	P2497	148.50
TA610	610	164	x 7	1,65	100	P2500	234.40



- NOTE: Cantilever Arms should be 50mm longer than the width of the cable tray or cable ladder to be supported.